

Specifications

AC Centrifugal Fan

Model : DYF4D-355

Type : QW1a

Coding : F040060003

Version: V1.0

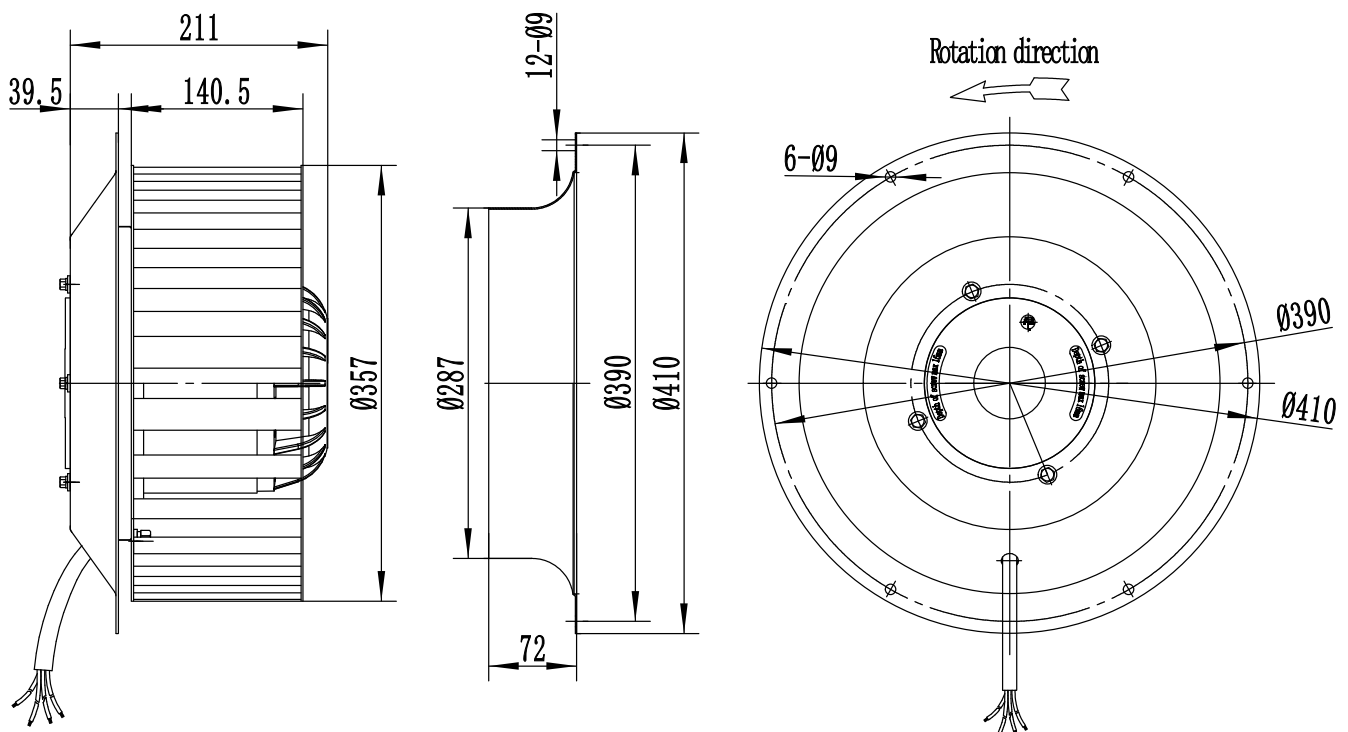
Date : 2024.07.06

Version	Status	Version update instructions	Date	DRN BY	CHK BY
V1.0	Effective	Initial release	2024-07-06	ZH. Shao	XQ. Chen

Standards

- GB12350 《Safety Requirements of small Power motors》
- EN60335-1 《Safety Requirements of Household of Similar Electrical Appliances》
- The level of balance is in accordance with ISO 1940, G4.0
- Vibration testing and velocity is performed according to JB/T8689.
- This product is certified by China CCC and EU CE
- ISO 9001 quality system certification
- Standard of noise test: ISO 13347 《Determination of fan sound power levels under standardized laboratory conditions》
- The fan performance data is accurate and reliable, conforming to GB/T1236-2017 and 《Industrial fans-performance testing using standardize dairways》 in ISO5801-2007 standards.

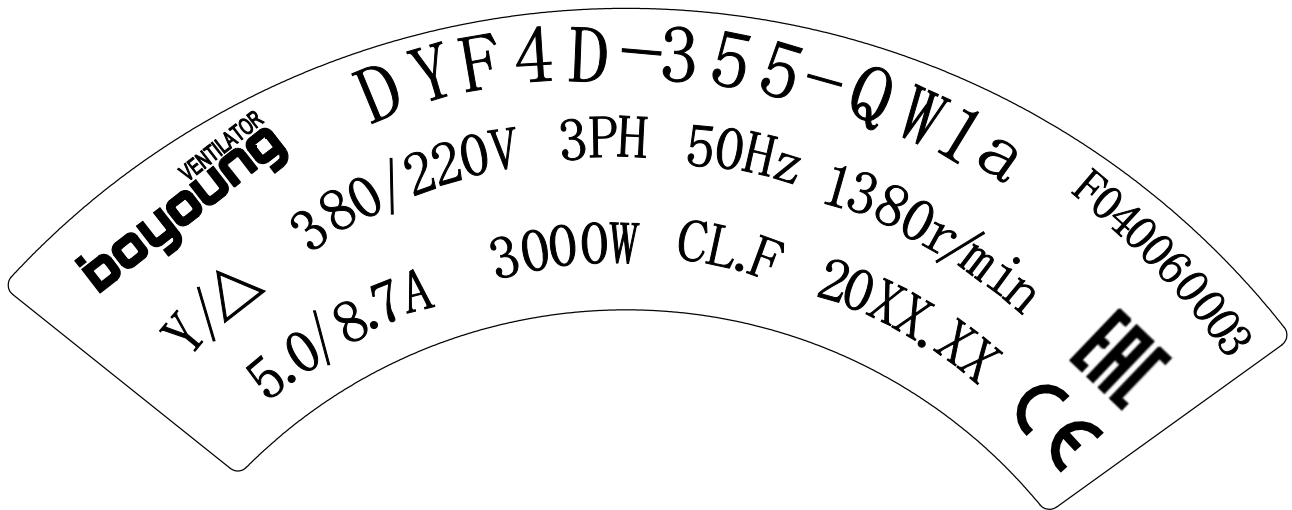
Product Drawings



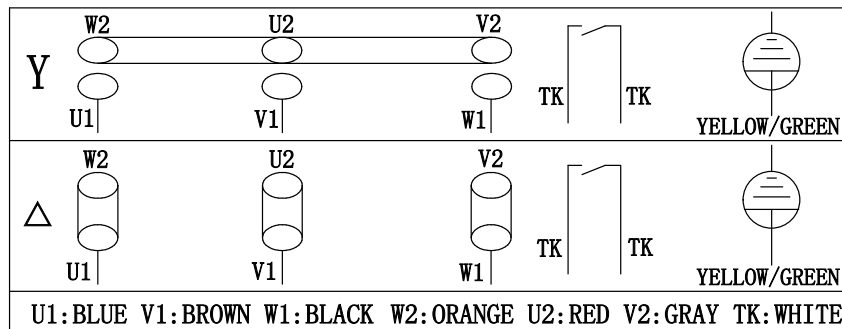
Technical Parameters

Power supply	Phase	3
Frequency	Hz	50
Wiring		Y/ Δ
Capacitance	μ F	-
Input Voltage	V	380/220
Input Current	A	5.00/8.70
Input Power	W	3000
Rated Speed	r/min	1380
Fan Noise	dB(A)	80
Fan Steering		Counterclockwise(From the Leader Line)
Fan Life	h	40000
Fan Weight	kg	-
Protection Level		IP54
Insulation Class		F
Balance Level		G4.0
Ambient Temperature	$^{\circ}$ C	-40 \sim +60
Environment Humidity		\leq 90%RH
Impeller Material		Metal
Spray Color		-
Operating Status		S1
Allowable Pt	Pa	\geq 400

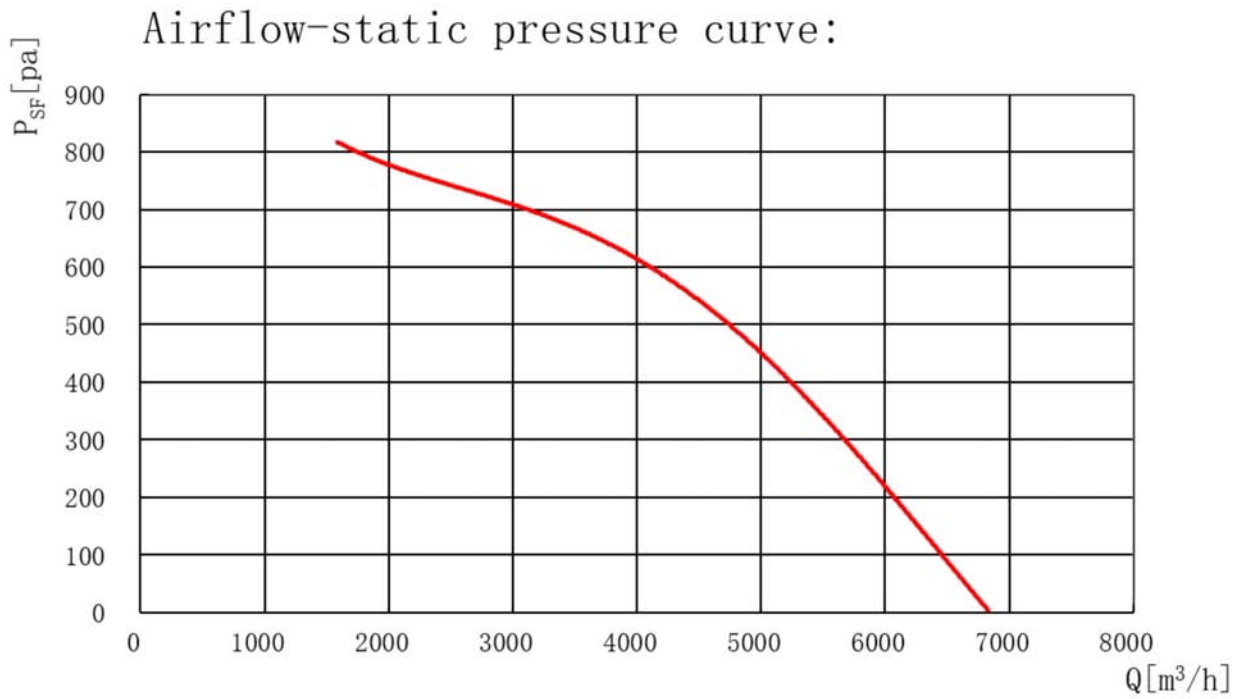
Label



Product wiring diagram



Product Performance



St. P.	Air Flow	Speed	Voltage	Freq.	Current	Power
Pa	m ³ /h	RPM	V	Hz	Amp	W
1	6834	1316	400	50	6.86	4197
103	6454	1333	400	50	6.43	3925
205	6061	1346	400	50	5.98	3676
307	5644	1362	400	50	5.55	3386
409	5182	1378	400	50	5.09	3075
511	4680	1394	400	50	4.62	2740
613	4040	1408	400	50	4.19	2425
715	2884	1430	400	50	3.53	1922
818	1587	1450	400	50	2.99	1466